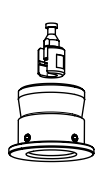


Installation Guide

Adapters AMV(E)15, 25, 35, 55, 56, 323, 423, 523 / VRB, VRG, VF, VL (Gen. 2009)



DN 15-50



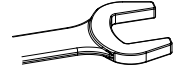
DN 65-80



2 mm



7 mm

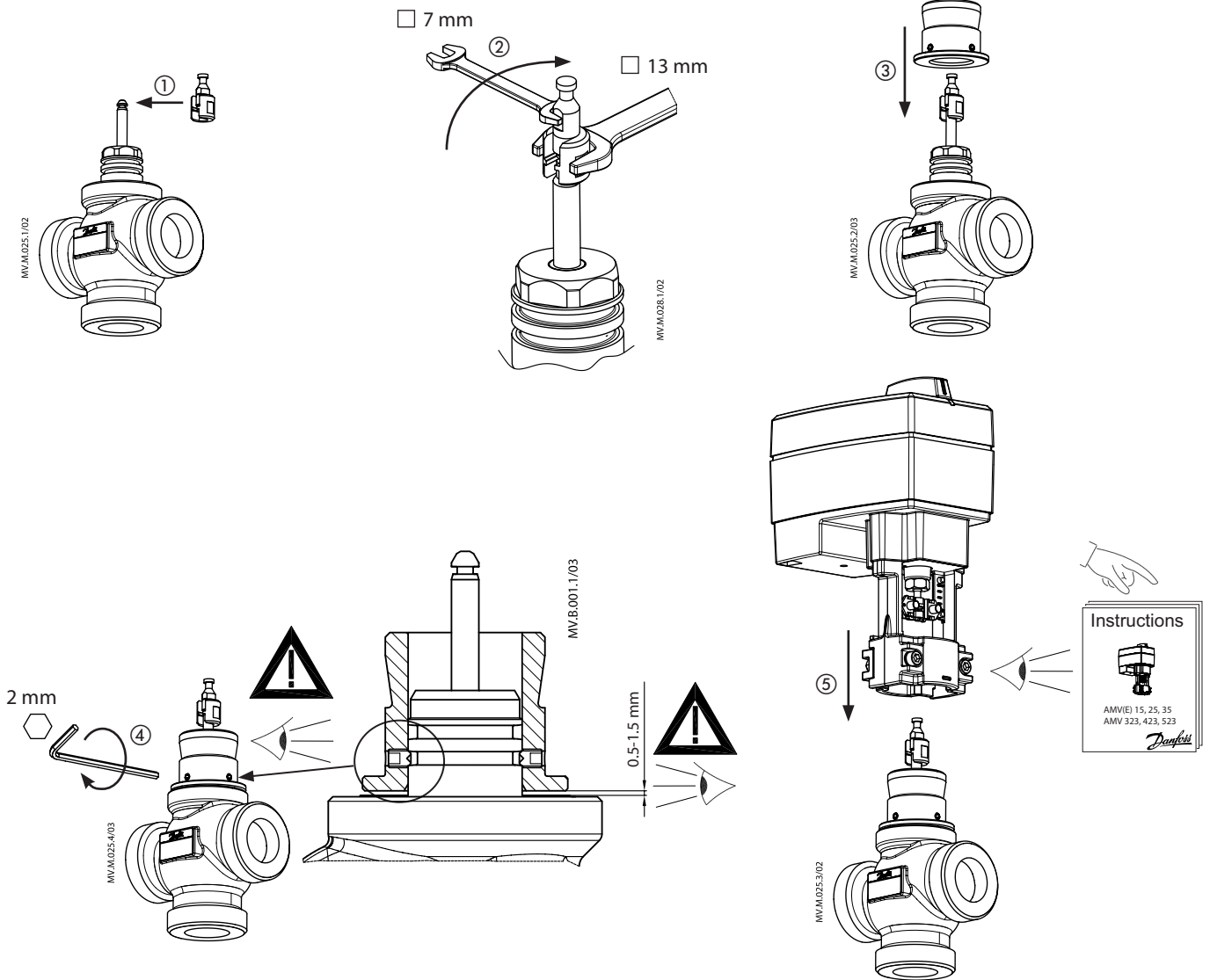


13 mm

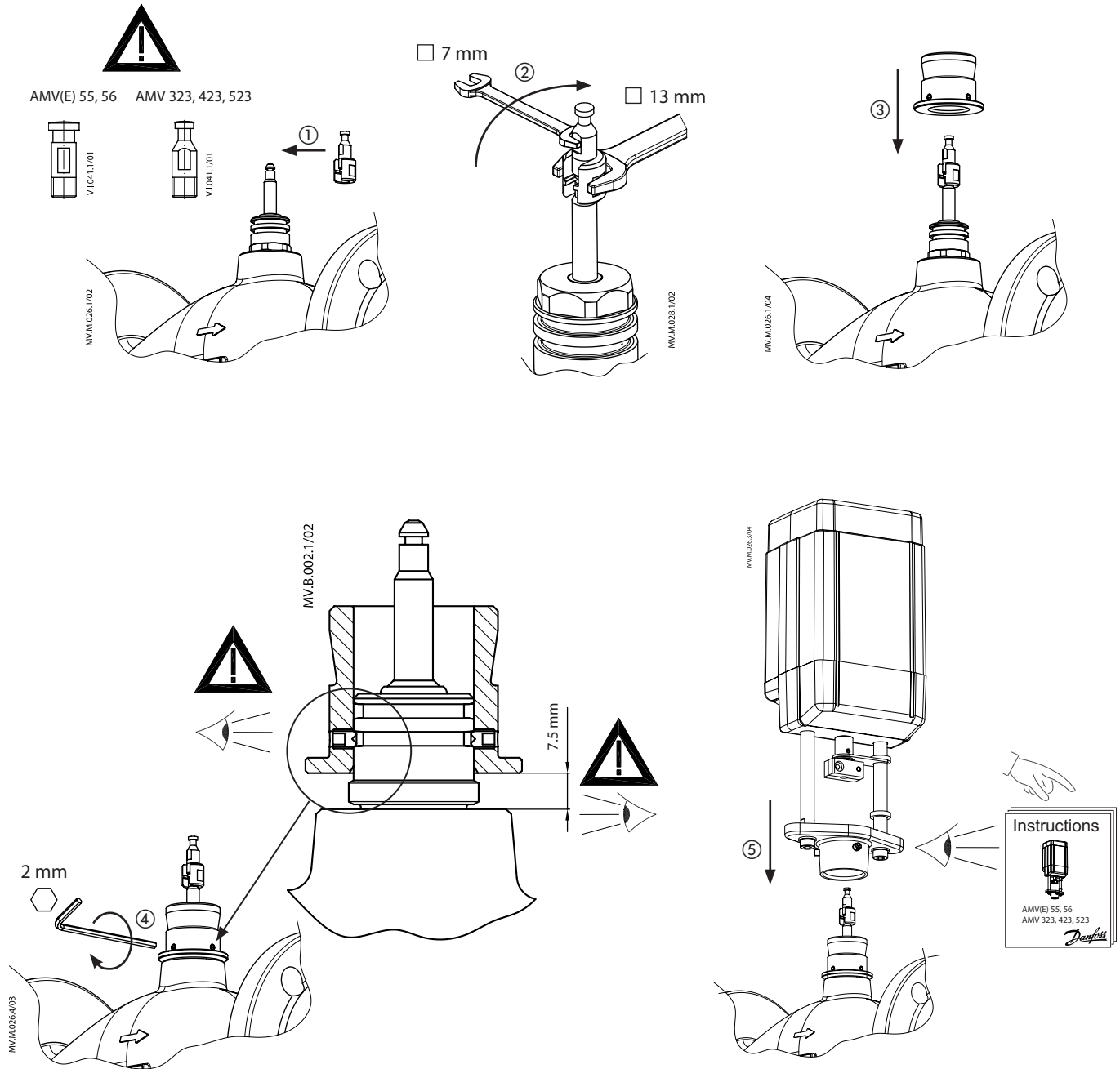


DN 15-50	AMV(E) 15, 25, 35, 323, 423, 523	065Z0311
DN 65, 80	AMV(E) 55, 56, 323, 423, 523	065Z0312

DN 15-50 (VRB, VRG, VF, VL)



DN 65, 80 (VF, VL)



Danfoss can accept no responsibility for possible errors in catalogues, brochures and other printed material. Danfoss reserves the right to alter its products without notice. This also applies to products already on order provided that such alterations can be made without consequential changes being necessary in specifications already agreed. All trademarks in this material are property of the respective companies. Danfoss and the Danfoss logo are trademarks of Danfoss A/S. All rights reserved.