

Datasheet

RET230P Electronic Room Thermostat

Features



The RET230P electronic room thermostat is designed for accurate control of central heating systems. Using a 230Vac mains supply, the voltage free contacts can be used for either mains or low voltage switching systems.

Using a thermistor sensing element combined with fully electronic switching ensures accurate temperature control and reliable switching.

A stylish and unobtrusive design allows for seamless integration with décor allowing consumers to enhance both the comfort and style of their home.

A tamperproof dial is available for purchase separately for installations in public buildings or offices.

Specifications

Description	RET230P
Code Number	087N743000
Temperature Range	5-30°C
Switching Accuracy	<1°C
Max Ambient Temperature	45 °C
Supply Voltage	230Vac ±15% @ 50/60 Hz
Switch Rating	3(1)A
Switch Type	SPDT Type 1B
Construction	BS EN60730-2-9
Control Pollution Situation	Degree 2
Rated Impulse Voltage	2.5kV
Ball Pressure Test	75°C
Dimensions mm (h x w x d)	86 x 90 x 30

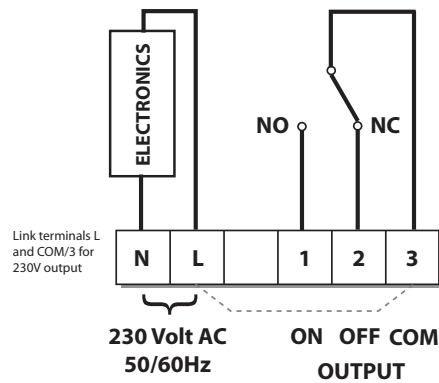
Accessories

Tamperproof Dial (10 pack)	087N763900
----------------------------	------------

Datasheet

RET230P Electronic Room Thermostat

Wiring



To wiring centre terminals*

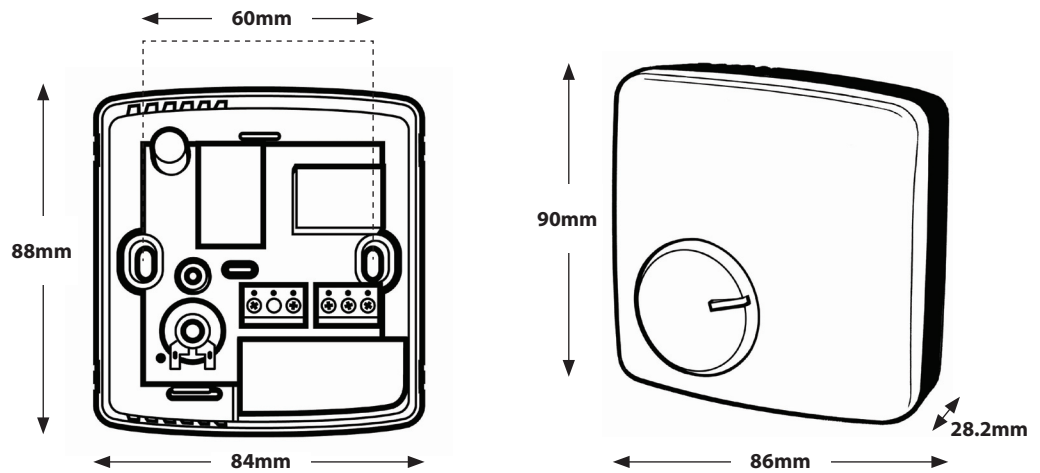
3	2	N		Thermostat Model
↑	↑	↑		
L	1	N	RET230P**	
3	2		RETB	
1	2	4	RMT230	
L	3	N	RET230	
COM	CALL	N		

Thermostat wiring connections

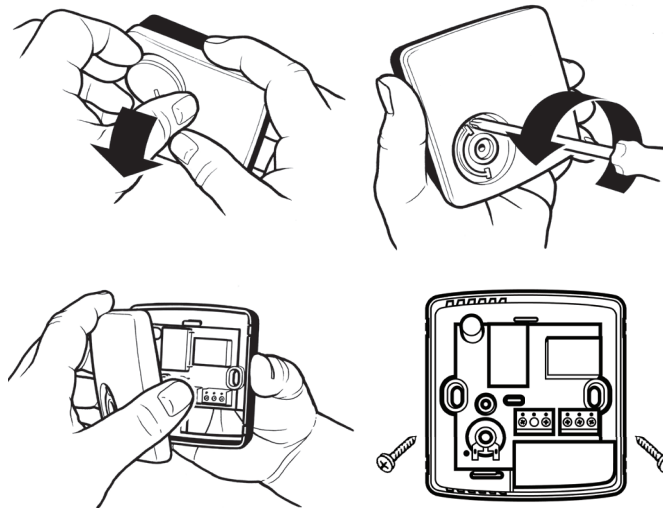
* Applies to Heatshare and Heatplan Packs

** Link terminals L and COM/3 in thermostat for 230V output

Dimensions



Mounting



Dial Installation



Danfoss can accept no responsibility for possible errors in catalogues, brochures, and other printed material. Danfoss reserves the right to alter its products without notice. This also applies to products already on order provided that such alterations can be made without subsequent changes being necessary in specifications already agreed. All trademarks in this material are property of the respective companies. Danfoss and the Danfoss logotype are trademarks of Danfoss A/S. All rights reserved.



Danfoss Randall Ltd.

Amphill Road
 Bedford MK42 9ER
 Tel: 0845 1217 400
 Fax: 0845 1217 515
 Email: danfosrandall@danfoss.com
 Website: www.danfoss-randall.co.uk