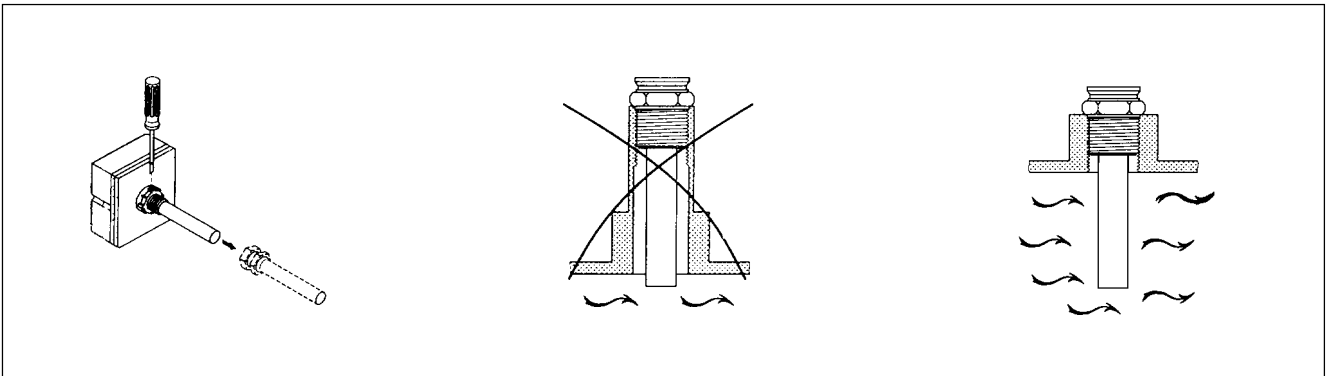


Installation Instructions

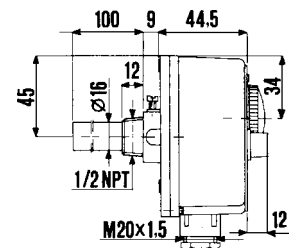
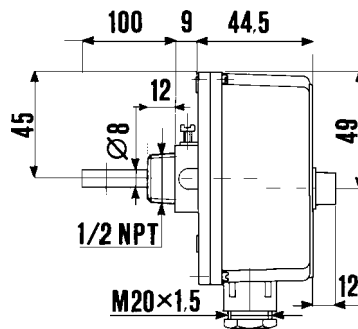
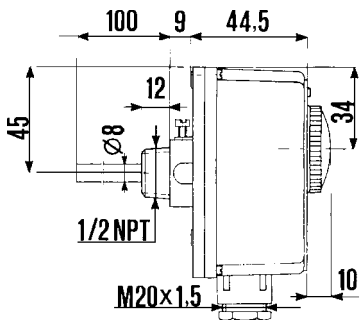
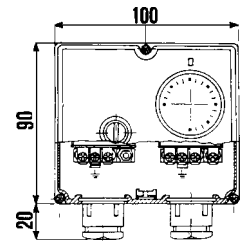
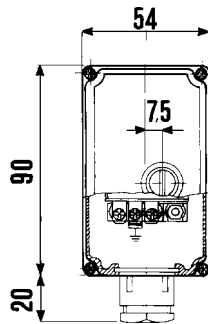
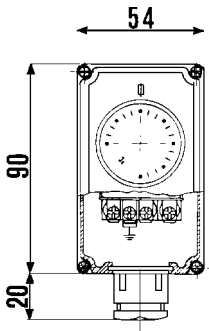
ITC, ITL & ITD Immersion Thermostats



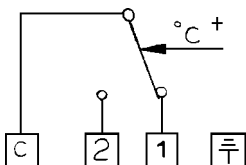
ITC

ITL

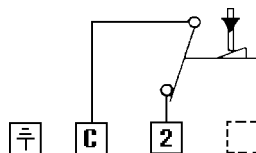
ITD



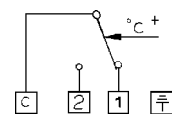
Control



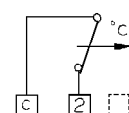
Limit



Control



Limit



Installation Instructions

	ITC Control Thermostat	ITL Limit Thermostat	ITD Dual Thermostat
Control Function (thermal re-set)	●		●
Limit Function (manual re-set)		●	●
Dual Control and Limit Function			●
Temperature Range (Control) (°C)	0-90		0-90
Temperature Range (Limit)		90/110°C (factory set to 90°C)	90/110°C (factory set to 90°C)
Switching Differential	4 ± 1K	-	4 ± 1K
Switch Configuration	SPDT	SPDT	SPDT (control) SPST (limit)
Switch Voltage Rating	220/240 Vac	220/240 Vac	220/240 Vac
Switch Current Rating	10(2.5)A	10(2.5)A	10(2.5)A
Maximum Ambient Temperature (Head)	65°C	80°C	80°C
Maximum Medium Temperature	150°C	150°C	150°C
Supplied with ½" BSP(m) x 100mm Pocket	●	●	●
Dimensions of thermostat head (mm)	54 wide x 110 high x 55.5 deep	54 wide x 110 high x 56.5 deep	100 wide x 110 high x 56.5 deep

This product complies with the following EC Directives:
Electro-Magnetic Compatibility Directive.
 (EMC) (89\336\EEC), (92\31\EEC)
Low Voltage Directive.
 (LVD) (73\23\EEC), (93\68\EEC)

